

Type B9C Load Cell



Short description



- Stainless steel IP67 dual shear beam load cell
- High accuracy
- Suitable for truck scales and other heavy weighing devices
- Sealed construction



Certificate no. 07-018A1

Available models

Capacity	Accuracy	Full article description
5Klb	N3	B9C-N3-5K-9B
10Klb	N10	B9C-N10-10K-9B
15Klb	N10	B9C-N10-15K-9B
20Klb	N10	B9C-N10-20K-9B
30Klb	N10	B9C-N10-30K-9B
40Klb	N10	B9C-N10-40K-9B
50Klb	N10	B9C-N10-50K-9B
60Klb	N10	B9C-N10-60K-9B
75Klb	N10	B9C-N10-75K-9B
90Klb	N10	B9C-N10-90K-9B
100Klb	N10	B9C-N10-100K-9B
150Klb	N3	B9C-N3-150K-9B
200Klb	N3	B9C-N3-200K-9B
250Klb	N3	B9C-N3-250K-9B

Specifications and dimensions are subject to change without notice and do not constitute any liability whatsoever.

Type B9C Load Cell

Technical specifications B9C

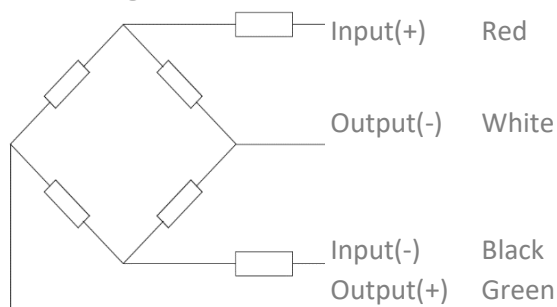
Accuracy class		N3	N10
Output sensitivity (= FS)	mV/V	3.0 ± 0.003	
Maximum capacity (E _{max})	Klb	5, 150, 200, 250	10, 15, 20, 30, 40, 50, 60, 75, 90, 100
Max. number of load cell intervals	n _{LC}	3000	
Ratio of min. LC verification interval	Y = E _{max} / v _{min}	7500	
Combined Error	%FS	≤± 0.0350	≤± 0.0230
Minimum dead load	Of E _{max}	0%	
Safe overload	of E _{max}	150 %	
Ultimate overload	of E _{max}	300 %	
Zero balance	of FS	< ± 1.0 %	
Excitation, recommended voltage	V	5 ~ 12	
Excitation maximum	V	18	
Input resistance	Ω	700 ± 7	
Output resistance	Ω	703 ± 4	
Insulation resistance	MΩ	≥5000 (at 50VDC)	
Compensated temperature	°C	-10 ~ +40	
Operating temperature	°C	-35 ~ +65	
Storage temperature	°C	-40 ~ +80	
Element material		Stainless steel	
Ingress Protection (acc. to EN 60529)		IP67	
ATEX classification (optional)		II1G Ex ia II1C T4	II1D Ex iaD 20 T73°C II3G nL IIC T4

Wiring

Features:

- Shielded, 4 conductor cable
- Cable diameter for 5k – 20k: Ø5mm and for 30k – 250k: Ø8mm
- Standard cable length: 9m
- Shield not connected to element

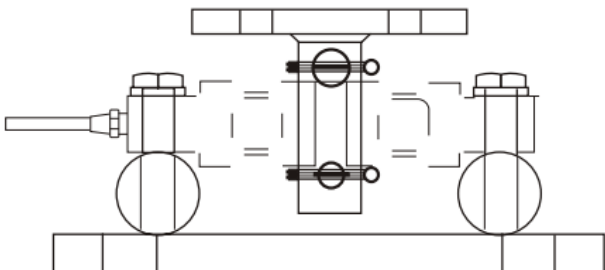
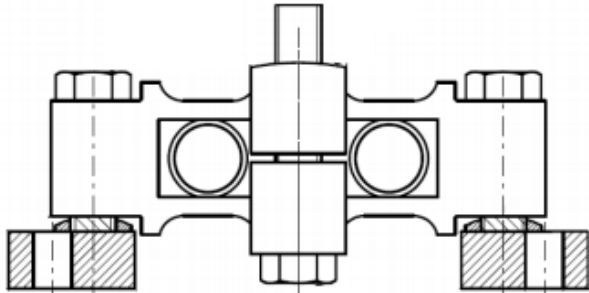
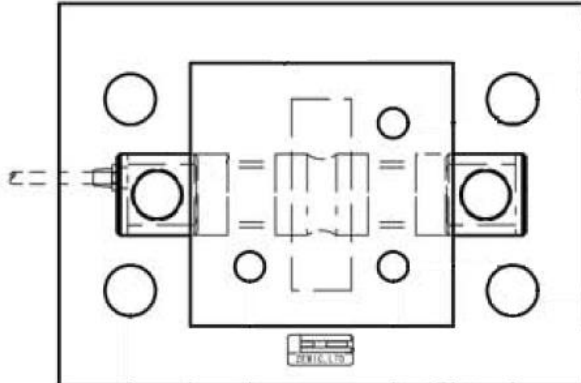
4-wire diagram



Specifications and dimensions are subject to change without notice and do not constitute any liability whatsoever.

Type B9C Load Cell

Available accessories

<p>HM-9-401-5-250Klb Mount</p> <ul style="list-style-type: none">• Easy installation• Compact construction• Anti-reversal ability• Alloy steel• Using under heavy static or slight dynamic load	
<p>HM-9-405-30-75Klb Mount</p> <ul style="list-style-type: none">• Alloy steel• No horizontal movement	
<p>HM-9-409-5-20Klb</p> <ul style="list-style-type: none">• Easy installation• Compact construction• Anti-reversal ability• Alloy steel• Using under heavy static or slight dynamic load	

Specifications and dimensions are subject to change without notice and do not constitute any liability whatsoever.