

Short description



- Aluminium bending miniature sensor
- High accuracy
- Used for platform scales

Available models

Capacity	Accuracy	Full article description
5kg	0.03%	1V3-350-5kg
10kg	0.03%	1V3-350-10kg
25kg	0.03%	1V3-350-25kg

Specifications and dimensions are subject to change without notice and do not constitute any liability whatsoever.

Type 1V3-350 Load Cell

Detailed specifications 1V3-350

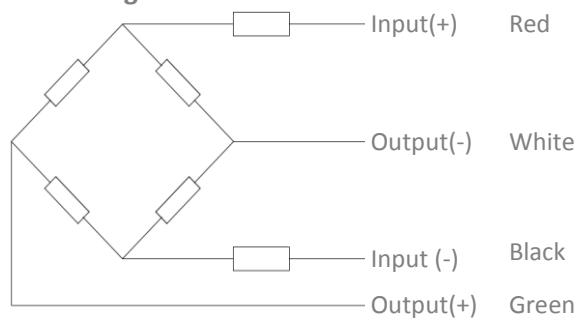
Accuracy class	of FS	0.03%	
Output sensitivity (= FS)	mV/V	1.6±0.1	2.0±0.2
Maximum capacity (E _{max})	kg	5	10, 25
Temperature effect on zero	%FS/10°C	±0.5	
Temperature effect on Sensitivity	%FS/10°C	±0.03	
Minimum dead load	of E _{max}	0%	
Safe overload	of E _{max}	150 %	
Ultimate overload	of E _{max}	300%	
Zero output	mV/V	± 0.03	
Excitation, recommended voltage	V	5 ~ 9	
Excitation maximum	V	10	
Input resistance	Ω	370 ± 20	
Output resistance	Ω	350 ± 5	
Insulation resistance	MΩ	≥2000 (at 50VDC)	
Compensated temperature	°C	-10 ~+40	
Operating temperature	°C	-10 ~ +40	
Storage temperature	°C	-20 ~ +65	
Element material		Aluminium	
Creep	%FS/5 min	±0.03	
Non-linearity	%FS	±0.03	
Repeatability	%FS	±0.03	
Hysteresis	%FS	±0.03	

Wiring

Wiring:

4 separate conductor cables.
Standard cables length: 0.25m.

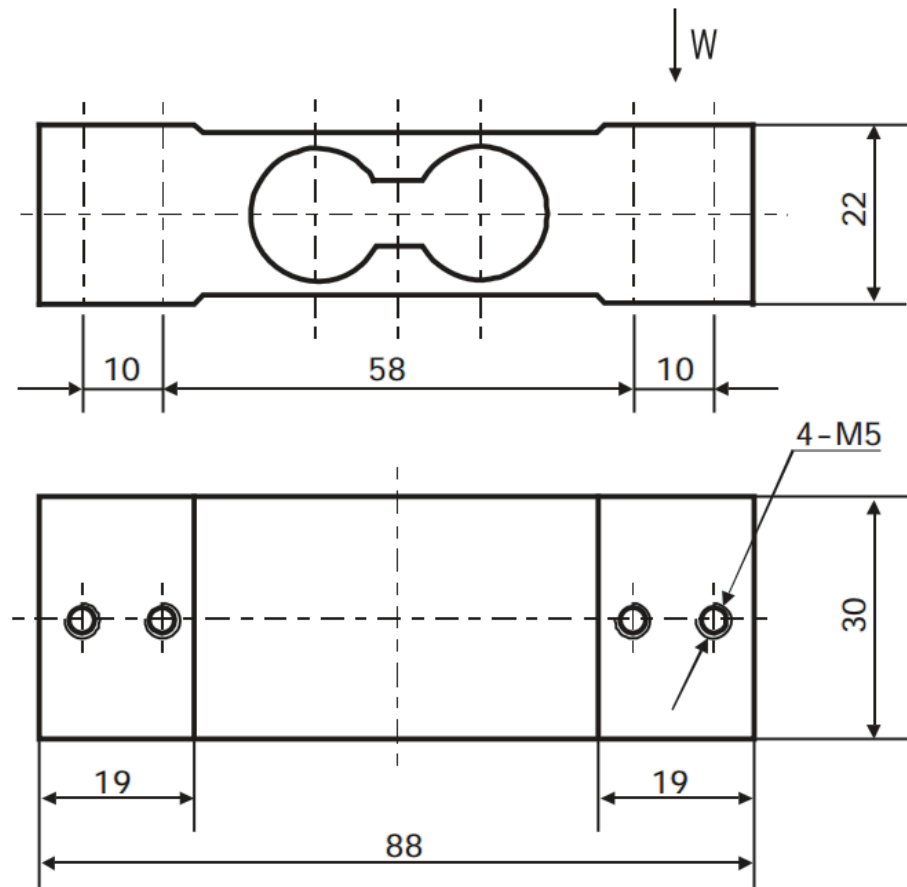
4-wire diagram



Specifications and dimensions are subject to change without notice and do not constitute any liability whatsoever.

Type 1V3-350 Load Cell

Dimensions in mm



Specifications and dimensions are subject to change without notice and do not constitute any liability whatsoever.