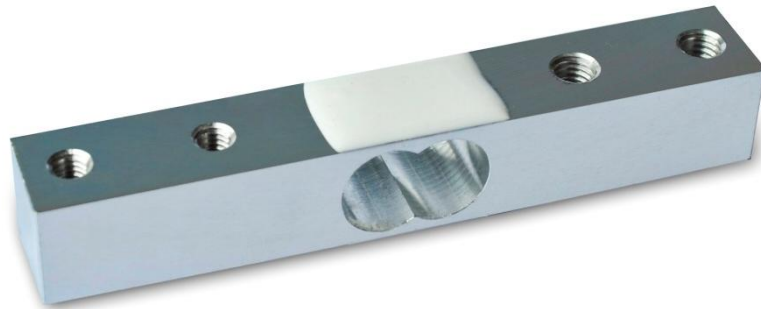


Type 1R1-K Load Cell



Short description



- Aluminium bending miniature sensor
- High accuracy
- Used for kitchen scales

Available models

Capacity	Accuracy	Full article description
0.6kg	0.03%	1R1-KL-0.6kg
1kg	0.03%	1R1-KL-1kg
2kg	0.03%	1R1-KL-2kg
3kg	0.03%	1R1-KL-3kg
5kg	0.03%	1R1-KL-5kg
6kg	0.03%	1R1-KL-6kg

Specifications and dimensions are subject to change without notice and do not constitute any liability whatsoever.

Type 1R1-K Load Cell

Detailed specifications 1R1-K

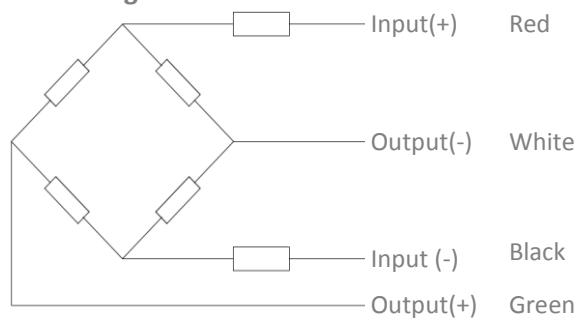
Accuracy class	of FS	0.03%		
Output sensitivity (= FS)	mV/V	1.0±0.15	1.5±0.15	1.2±0.15
Maximum capacity (E _{max})	kg	0.6	1	2, 3, 5, 6
Temperature effect on zero	%FS/10°C	±1.0	±1.0	±0.3
Temperature effect on Sensitivity	%FS/10°C	±0.03		
Minimum dead load	of E _{max}	0%		
Safe overload	of E _{max}	150 %		
Ultimate overload	of E _{max}	300%		
Zero output	mV/V	± 0.1		
Excitation, recommended voltage	V	5 ~ 9		
Excitation maximum	V	10		
Input resistance	Ω	1055 ± 10		
Output resistance	Ω	1000 ± 10		
Insulation resistance	MΩ	≥2000 (at 50VDC)		
Compensated temperature	°C	-10 ~+40		
Operating temperature	°C	-10 ~ +40		
Storage temperature	°C	-20 ~ +65		
Element material		Aluminium		
Creep	%FS/5 min	±0.03		
Non-linearity	%FS	±0.03		
Repeatability	%FS	±0.03		
Hysteresis	%FS	±0.03		

Wiring

Wiring:

4 separate conductor cables.
Standard cables length: 0.25m.

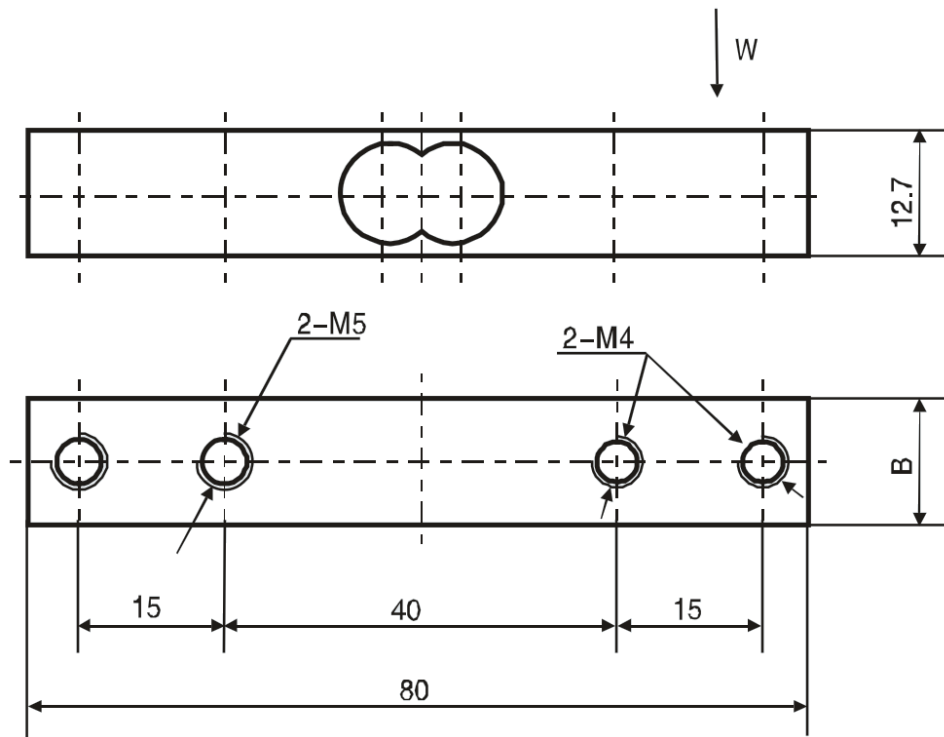
4-wire diagram



Specifications and dimensions are subject to change without notice and do not constitute any liability whatsoever.

Type 1R1-K Load Cell

Dimensions in mm



Dimension Capacity	B
0.6kg – 2kg	10
3kg – 6kg	12.7

Specifications and dimensions are subject to change without notice and do not constitute any liability whatsoever.