



## Short description



- Nickel plated alloy steel IP68, "S" type load cell
- Tension and compression applications



Test certificate no. TC8102 Rev.0  
C of C no. R60/2000-NL1-12.13

## Available models

Capacity	Accuracy	Full article description
6t	C3/C4	HM3Q-C3/C4-6t-10B
12t	C3/C4	HM3Q-C3/C4-12t-10B
20t	C3/C4	HM3Q-C3/C4-20t-10B
30t	C3/C4	HM3Q-C3/C4-30t-10B

Specifications and dimensions are subject to change without notice and do not constitute any liability whatsoever.

# Type HM3Q Load Cell

## Technical specifications HM3Q

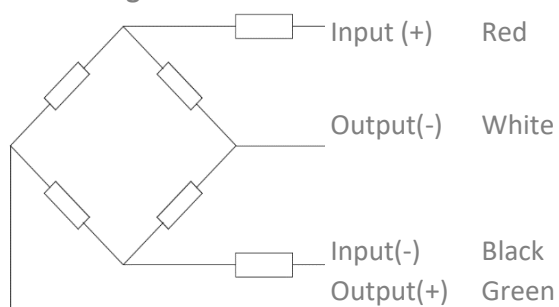
Accuracy class		OIML R60 C3	OIML R60 C4
Output sensitivity ( = FS )	mV/V	2.0 ± 0.002	
Maximum capacity ( E <sub>max</sub> )	t	6, 12, 20, 30	
Max. number of load cell intervals	n <sub>LC</sub>	3000	4000
Ratio of min. LC verification interval	$Y = E_{max} / v_{min}$	10000	15000
Combined Error	%FS	≤± 0.0230	≤± 0.0175
Minimum dead load	of E <sub>max</sub>	0%	
Safe overload	of E <sub>max</sub>	150 %	
Ultimate overload	of E <sub>max</sub>	300 %	
Zero balance	of FS	< ± 1.5 %	
Excitation, recommended voltage	V	5 ~ 12	
Excitation maximum	V	18	
Input resistance	Ω	1000 ± 10	
Output resistance	Ω	1004 ± 5	
Insulation resistance	MΩ	≥5000 ( at 50VDC )	
Compensated temperature	°C	-10 ~ +40	
Operating temperature	°C	-35 ~ +65	
Storage temperature	°C	-40 ~ +70	
Element material		Nickel plated alloy steel	
Ingress Protection (acc. to EN 60529)		IP68	

## Wiring

### Features:

Shielded, 4 conductor cable.  
Cable diameter: Ø5mm  
Standard cable length : 10m  
Shield not connected to element

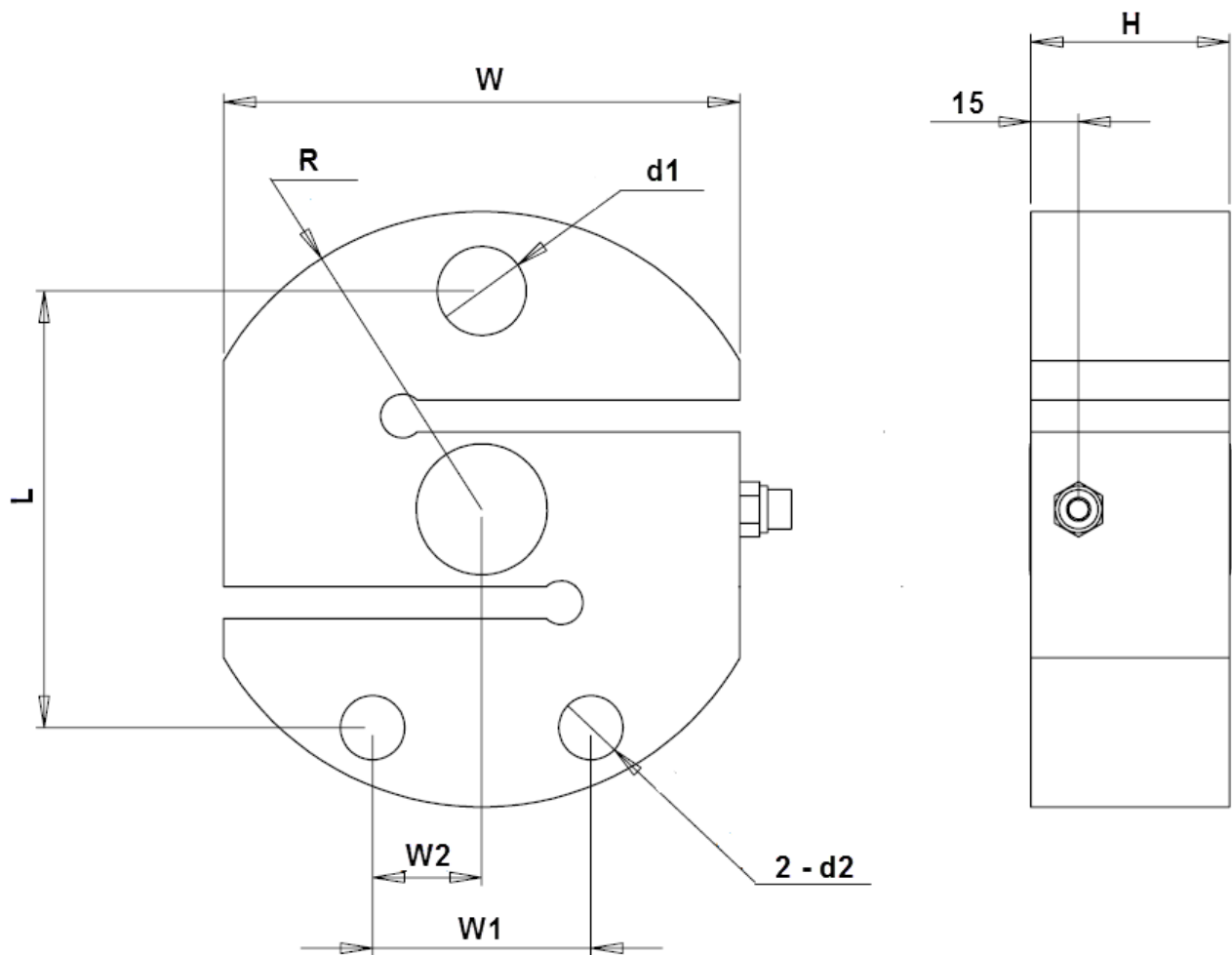
### 4-wire diagram



Specifications and dimensions are subject to change without notice and do not constitute any liability whatsoever.

# Type HM3Q Load Cell

Dimensions in mm



Dimension Capacity	W	W1	W2	L	R	H	$\varnothing d1$	$\varnothing d2$
6t	130	55	27.5	110	75	50	22.4	16.2
12t	130	55	27.5	110	75	60	22.4	16.2
20t	150	70	35	125	89	65	38.1	24.5
30t	200	90	45	176	125	70	50.15	30.15

Specifications and dimensions are subject to change without notice and do not constitute any liability whatsoever.