



Short Description



- Stainless steel IP67, "S" type load cell
- Tension and compression applications
- Suitable for hanging, hopper and other weighing devices
- Also available in imperial capacities and dimensions

Non-OIML approved



Certificate no. 06-099A1

Available Models

Capacity	Accuracy	Full article description
100kg	C3	H3F-C3-100kg-6T
250kg	C3	H3F-C3-250kg-6T
500kg	C3	H3F-C3-500kg-6T
750kg	C3	H3F-C3-750kg-6T
1t	C3	H3F-C3-1t-6T
1.5t	C3	H3F-C3-1.5t-6T
2t	C3	H3F-C3-2t-6T
2.5t	C3	H3F-C3-2.5t-6T
5t	C3	H3F-C3-5t-6T

Specifications and dimensions are subject to change without notice and do not constitute any liability whatsoever.

Technical Specifications H3F

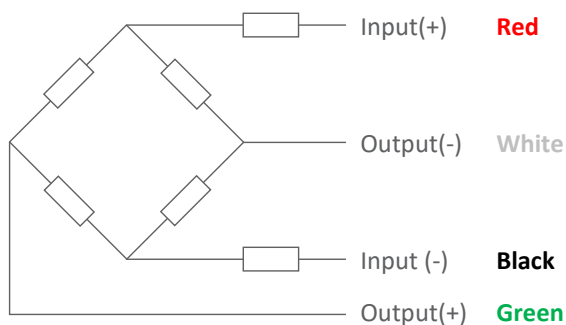
Accuracy Class		C3		
Output Sensitivity (= FS)	mV/V	3.0 ± 0.008		
Maximum Capacity (E _{max})	t	0.1, 0.25, 0.5, 0.75, 1, 1.5, 2, 2.5, 5		
Max. Number of Load Cell Intervals	n _{LC}	3000		
Ratio of min. LC Verification Interval	$Y = E_{max} / V_{min}$	10000		
Combined Error	%FS	≤± 0.020		
Creep Error (30 minutes)	%FS	≤± 0.016		
Temperature Effect on Zero (ZTC)	%FS/10°C	≤± 0.015		
Temperature Effect on Sensitivity (STC)	%FS/10°C	≤± 0.011		
Zero Balance	%FS	≤± 1.0		
Safe Overload	%FS	150		
Ultimate Overload	%FS	300		
Maximum Deflection	mm	0.1935 ~ 0.4079		
Excitation, Recommended Voltage	V	5 ~ 12		
Excitation, Maximum Voltage	V	18		
Input Resistance	Ω	350 ± 3.5		
Output Resistance	Ω	351 ± 2.0		
Insulation Resistance (50V)	MΩ	≥5000 (at 50VDC)		
Compensated Temperature	°C	-10 ~ +40		
Operating Temperature	°C	-35 ~ +65		
Storage Temperature	°C	-40 ~ +70		
Load Cell Weight	kg	0.1t – 1.5t: ± 0.6 ~ 0.8	2t – 5t: ± 1.5	
Element Material		Nickel plated alloy steel		
Ingress Protection (acc. to EN 60529)		IP67		
Recommended Torque on Fixation Bolts	Nm	M10: 50	M12: 75	M18: 300
ATEX Classification (optional)		II1G Ex ia II1C T4	II1D Ex iaD 20 T73°C	II3G Ex nL IIC T4

Wiring

Features:

Cable type: Shielded, 4 conductor cable , conductor AWG 22
 Cable diameter: Ø 5.0mm
 Cable length: 6m
 Cable jacket: Polyurethane
 Shield not connected to element

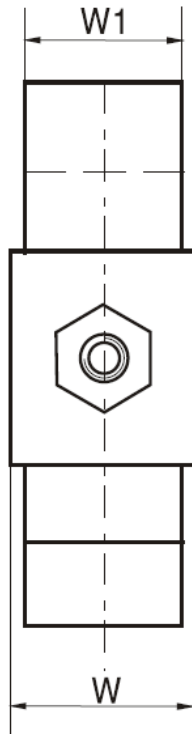
4-Wire Connection Diagram



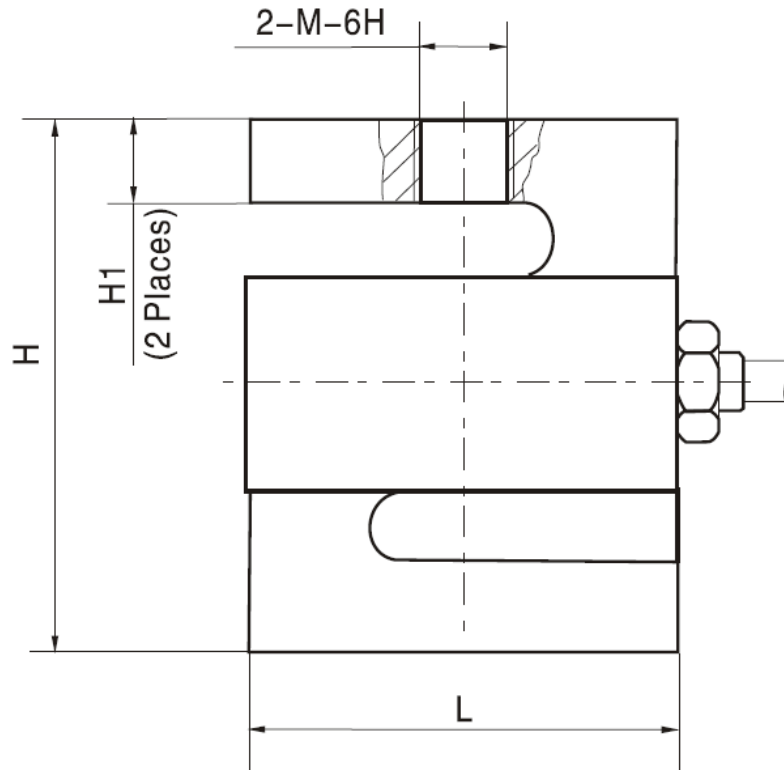
Specifications and dimensions are subject to change without notice and do not constitute any liability whatsoever.

Dimensions in mm

Back View

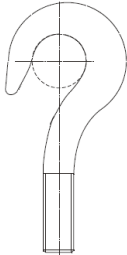
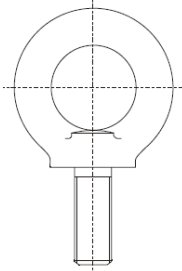
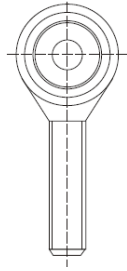
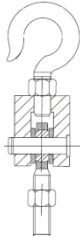


Side View



Dimension Capacity	H	W	W1	L	H1	M
100kg	76.2	20.6	19	50.8	15.8	M10 x 1.5
250kg	76.2	20.6	19	50.8	15.12	M12 x 1.75
500kg	76.2	20.6	19	50.8	14.2	M12 x 1.75
750kg	76.2	20.6	19	50.8	13.46	M12 x 1.75
1t	76.2	27	25.4	50.8	13.24	M12 x 1.75
1.5t	76.2	27	25.4	50.8	11.82	M12 x 1.75
2t	108	27	25.4	76.2	26.7	M18 x 1.5
2.5t	108	27	25.4	76.2	25.48	M18 x 1.5
5t	108	27	25.4	76.2	20.26	M18 x 1.5

Available accessories

<p>HL-3-001-25kg-5t hook</p> <ul style="list-style-type: none"> • Alloy Steel • Suitable for hybrid scales, crane scales, packaging scales and hopper scales 	
<p>HL-3-002-25kg-5t eye</p> <ul style="list-style-type: none"> • Alloy Steel • Suitable for hybrid scales, crane scales, packaging scales and hopper scales 	
<p>HL-3-003-25kg-5t rod end</p> <ul style="list-style-type: none"> • Alloy Steel • Suitable for hybrid scales, crane scales, packaging scales, hopper scales and other electronic weighing devices 	
<p>HL-3-004-25kg-5t hook assembly</p> <ul style="list-style-type: none"> • Alloy Steel • Suitable for hybrid scales, crane scales, packaging scales, hopper scales and other electronic weighing devices 	
<p>HL-3-005-25kg-5t eye assembly</p> <ul style="list-style-type: none"> • Alloy Steel • Suitable for hybrid scales, crane scales, packaging scales, hopper scales and other electronic weighing devices 	