



Short description



- Tool steel IP66 compression load cell
- Epoxy coated
- Cable suitable for application with higher temperatures up to 130°C
- Low profile
- Double bridge option from 13t and up
- 350t and 500t load cells are delivered with a connector for easy installation

Available models

Capacity	Accuracy	Full article description
2.8t	G1/G2	H14W-G1/G2-2.8t-6B
6t	G1/G2	H14W-G1/G2-6t-6B
13t	G1/G2	H14W-G1/G2-13t-15B
28t	G1/G2	H14W-G1/G2-28t-15B
60t	G1/G2	H14W-G1/G2-60t-15B
130t	G1/G2	H14W-G1/G2-130t-20B
280t	G1/G2	H14W-G1/G2-280t-20B
350t	G1/G2	H14W-G1/G2-350t-25J
500t	G1/G2	H14W-G1/G2-500t-25J

Specifications and dimensions are subject to change without notice and do not constitute any liability whatsoever.

Type H14W Load Cell

Technical specifications H14W

Accuracy class		G1		G2	
Output sensitivity (= FS)	mV/V	1.5 ± 0.008	1.5 ± 0.1	1.5 ± 0.008	1.5 ± 0.1
Maximum capacity (E _{max})	t	2.8, 6, 13, 28, 60, 130, 280	350, 500	2.8, 6, 13, 28, 60, 130, 280	350, 500
Combined Error	%FS	≤± 0.10		≤± 0.20	
Minimum dead load	Of E _{max}	0%			
Hysteresis	%FS	≤± 0.1		≤± 0.2	
Minimum dead load output return	%FS	≤± 0.050		≤± 0.070	
Creep error (30 minutes)	%FS	≤± 0.060		≤± 0.080	
Creep error (20-30 minutes)	%FS	≤± 0.015		≤± 0.020	
Temperature effect on zero	%FS/10°C	≤± 0.5		≤± 0.5	
Temperature effect on sensitivity	%FS/10°C	≤± 0.5		≤± 0.5	
Safe overload	of E _{max}	150 %			
Ultimate overload	of E _{max}	300 %			
Zero balance	of FS	< ± 1.5 %			
Excitation, recommended voltage	V	5 ~ 12			
Excitation maximum	V	15			
Input resistance	Ω	275 ± 5 (840 ± 30 for 350t and 500t)			
Output resistance	Ω	245 ± 0.2 (703 ± 5 for 350t and 500t)			
Insulation resistance	MΩ	≥5000 (at 50VDC)			
Compensated temperature	°C	-10 ~ +40			
Operating temperature	°C	-20 ~ +70			
Storage temperature	°C	-30 ~ +70			
Element material		Tool steel painted			
Ingress Protection (acc. to EN 60529)		IP66			

Wiring

Features:

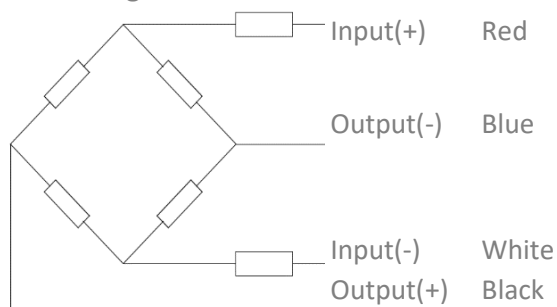
Shielded, 4 conductor cable

Cable diameter: Ø6.5mm

Standard cable length for 2.8t – 6t: 6m, for 13t – 60t: 15m, for 130t – 280t: 20m and for 350t – 500t: 25m

Shield not connected to element

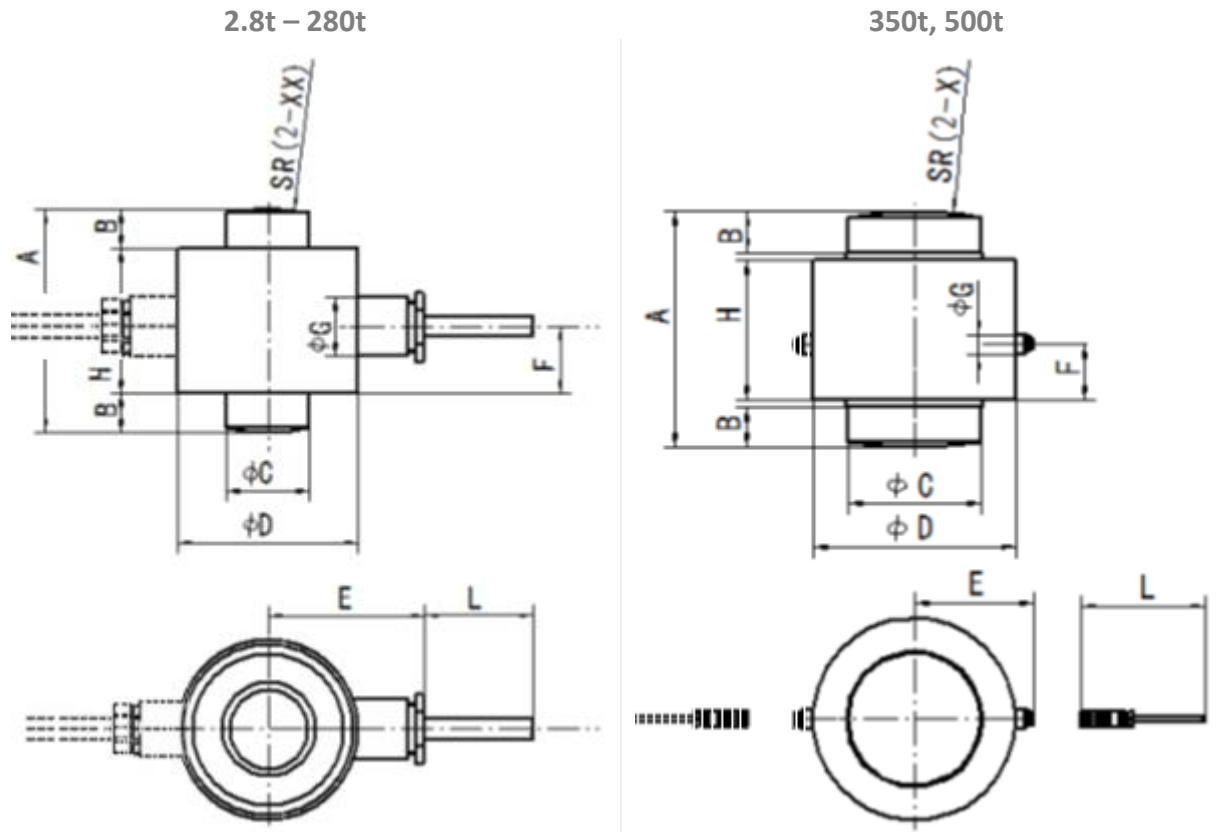
4-wire diagram



Specifications and dimensions are subject to change without notice and do not constitute any liability whatsoever.

Type H14W Load Cell

Dimensions in mm



Dimension Capacity	A	B	ØC	ØD	E	F	G	H	L	SR
2.8t, 6t	56	8	16.7	45	40.5	20	18	40	6 m	50
13t	68	12	24.5	55	45.5	20	18	44	15 m	66
28t	74	14	36	64	50	20	18	46	15 m	72
60t	90	20	52.7	90	63	20	18	50	15 m	100
130t	116	26	77.5	121	78.5	20	18	64	20 m	125
280t	170	45	114	165	100.5	20	18	90	20 m	183
350t ¹⁾	240	40	132	192	124	50.5	22	139	25 m	325
500t ¹⁾	275	47.5	155	236	146	99.5	22	164	25 m	450

¹⁾ the 350t and 500t version are delivered with a connector instead of a cable gland.

Specifications and dimensions are subject to change without notice and do not constitute any liability whatsoever.