



Short Description



- Stainless steel IP68 shear beam load cell
- Hermetically sealed
- Robust and wide mounting surface
- Suitable for harsh environment
- Current calibrated (sc-option)



Test certificate no. D09-07.22
C of C no R60/2000-DE1-10.07

Available Models

Capacity	Accuracy	Full article description
500kg	C3/C4	BM8G-C3/C4-500kg-5B-SC
1t	C3/C4	BM8G-C3/C4-1t-5B-SC
2t	C3/C4	BM8G-C3/C4-2t-5B-SC
5t	C3	BM8G-C3-5t-5B-SC-W2
7.5t	C3	BM8G-C3-7.5t-5B-SC-W2
10t	C3	BM8G-C3-10t-10B-SC

Technical Specifications BM8G

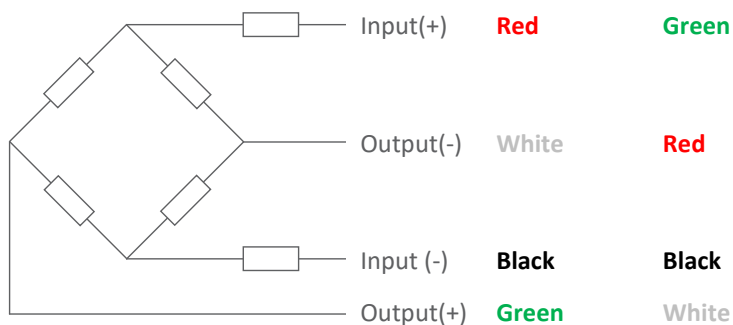
Accuracy Class		OIML R60 C3	OIML R60 C4	
Output Sensitivity (= FS)	mV/V	2.0 ± 0.004		
Maximum Capacity (E _{max})	t	0.5, 1, 2, 5, 7.5, 10	0.5, 1, 2	
Max. Number of Load Cell Intervals	n _{LC}	3000	4000	
Ratio of min. LC Verification Interval	$Y = E_{max} / V_{min}$	10000	15000	
Combined Error	%FS	≤± 0.0230	≤± 0.0175	
Creep Error (30 minutes)	%FS	≤± 0.016	≤± 0.012	
Temperature Effect on Zero (ZTC)	%FS/10°C	≤± 0.014	≤± 0.010	
Temperature Effect on Sensitivity (STC)	%FS/10°C	≤± 0.018	≤± 0.009	
Zero Balance	%FS	≤± 2.0		
Safe Overload	%FS	150		
Ultimate Overload	%FS	300		
Maximum Deflection	mm	0.0039 ~ 0.0125		
Excitation, Recommended Voltage	V	5 ~ 15		
Excitation, Maximum Voltage	V	18		
Input Resistance	Ω	350 ± 3.5		
Output Resistance	Ω	350 ± 3.5		
Insulation Resistance (50V)	MΩ	≥5000		
Compensated Temperature	°C	-10 ~ + 40		
Operating Temperature	°C	-35 ~ + 65		
Storage Temperature	°C	-40 ~ + 70		
Load Cell Weight	kg	0.5t-2t: ~2.3	5t-7.5t: ~5	10t: 5.9
Element Material		Stainless Steel		
Ingress Protection (acc. to EN 60529)		IP68		
Recommended Torque on Fixation Bolts	Nm	M12: 100	M12: 450	M12: 750

Wiring

Features:

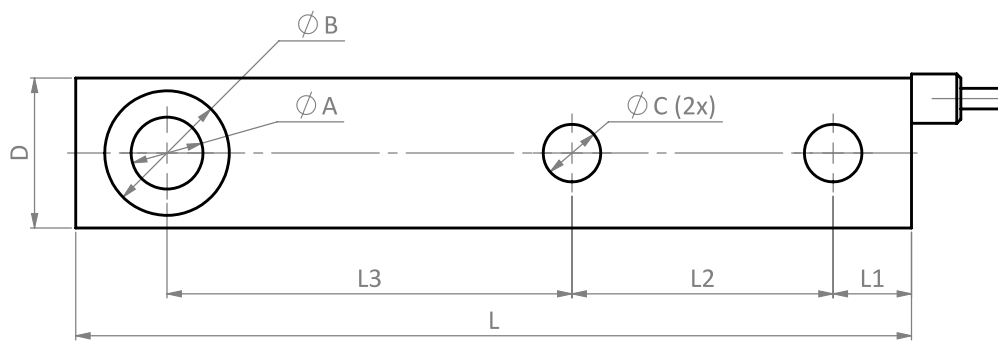
Cable type: Shielded, 4 conductor cable , conductor AWG 22
 Cable diameter: Ø 5.0mm
 Cable length: 5m
 Cable jacket: Silicone rubber (black)
 Shield not connected to element

4-Wire Connection Diagram

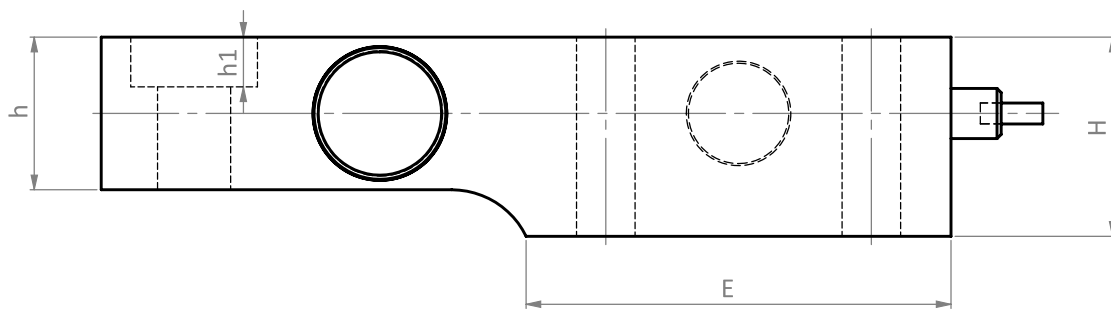


Dimensions in mm

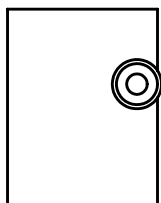
Top View



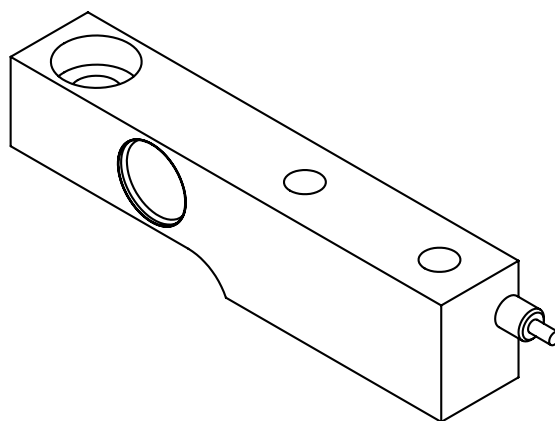
Side View



Back View



Isometric View

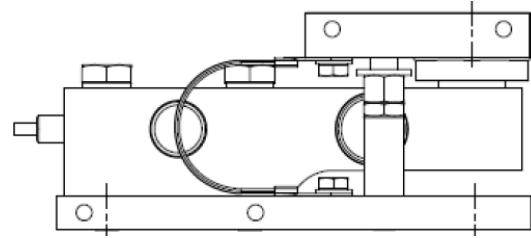


Dimension Capacity	A	B	C	D	E	L	L1	L2	L3	H	h	h1
0.5t, 1t, 2t	17.48	30.3	13.9	36.48	101.6	203.2	19.05	63.5	98.43	47.63	36.5	11.9
5t, 7.5t-W2	25.5	41.4	22.23	47.36	111	234.95	20.62	66.7	123.8	69.85	47.64	15.75
10t	25.5	41.4	25	55	111	234.95	20.62	66.7	123.8	69.85	58.6	15.75

Available accessories

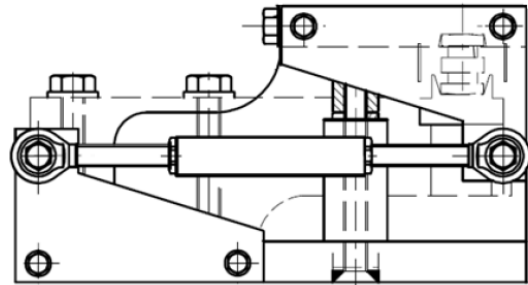
BM-8-409-0.5-10t mount

- Stainless steel mount
- Easy load cell access
- Self aligning construction
- Lift-off protection
- Controlled horizontal movement



BM-8-410-0.5-10t mount

- BM-8-409 + stay rod
- Stainless steel mount
- Easy load cell access
- Self aligning construction
- Lift-off protection
- Stabilized by stay rod



Elastomer BM8G 0.5-10t

- Easy installation
- Suitable for shock load

