

# Type BM6E Load Cell



## Short description



- Stainless steel IP68 single point load cell
- Suitable for single load cell structured platform scales
- High accuracy
- Maximum platform size: 600 x 600 mm

Non OIML approved

## Available models

Capacity	Accuracy	Full article description
100kg	C3	BM6E-C3-100kg-2B
200kg	C3	BM6E-C3-200kg-2B
300kg	C3	BM6E-C3-300kg-2B

Specifications and dimensions are subject to change without notice and do not constitute any liability whatsoever.

# Type BM6E Load Cell

## Technical specifications BM6E

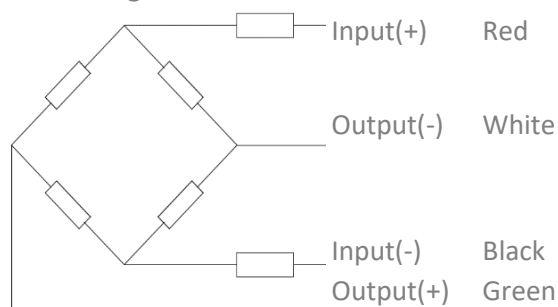
Accuracy class		C3
Output sensitivity ( = FS )	mV/V	2.0 ± 0.2
Maximum capacity ( E <sub>max</sub> )	kg	100, 200, 300
Max. number of load cell intervals	n <sub>LC</sub>	3000
Ratio of min. LC verification interval	$Y = E_{max} / V_{min}$	10000
Combined Error	%FS	≤± 0.0230
Minimum dead load	Of E <sub>max</sub>	0%
Safe overload	of E <sub>max</sub>	150 %
Ultimate overload	of E <sub>max</sub>	300 %
Zero balance	of FS	< ± 1.5 %
Excitation, recommended voltage	V	5 ~ 12
Excitation maximum	V	18
Input resistance	Ω	350 ± 3.5
Output resistance	Ω	351 ± 2.0
Insulation resistance	MΩ	≥5000 ( at 50VDC )
Compensated temperature	°C	-10 ...+40
Operating temperature	°C	-35 ...+65
Storage temperature	°C	-40 ...+70
Element material		Stainless steel
Ingress Protection (acc. to EN 60529)		IP68
Recommended torque on fixation	Nm	M6: 10
Corner correction		0.02% load value / 100mm

## Wiring

### Features:

Shielded cable, 4 conductor cable.  
Cable diameter: Ø5mm.  
Standard cable length: 2m.  
Shield not connected to element

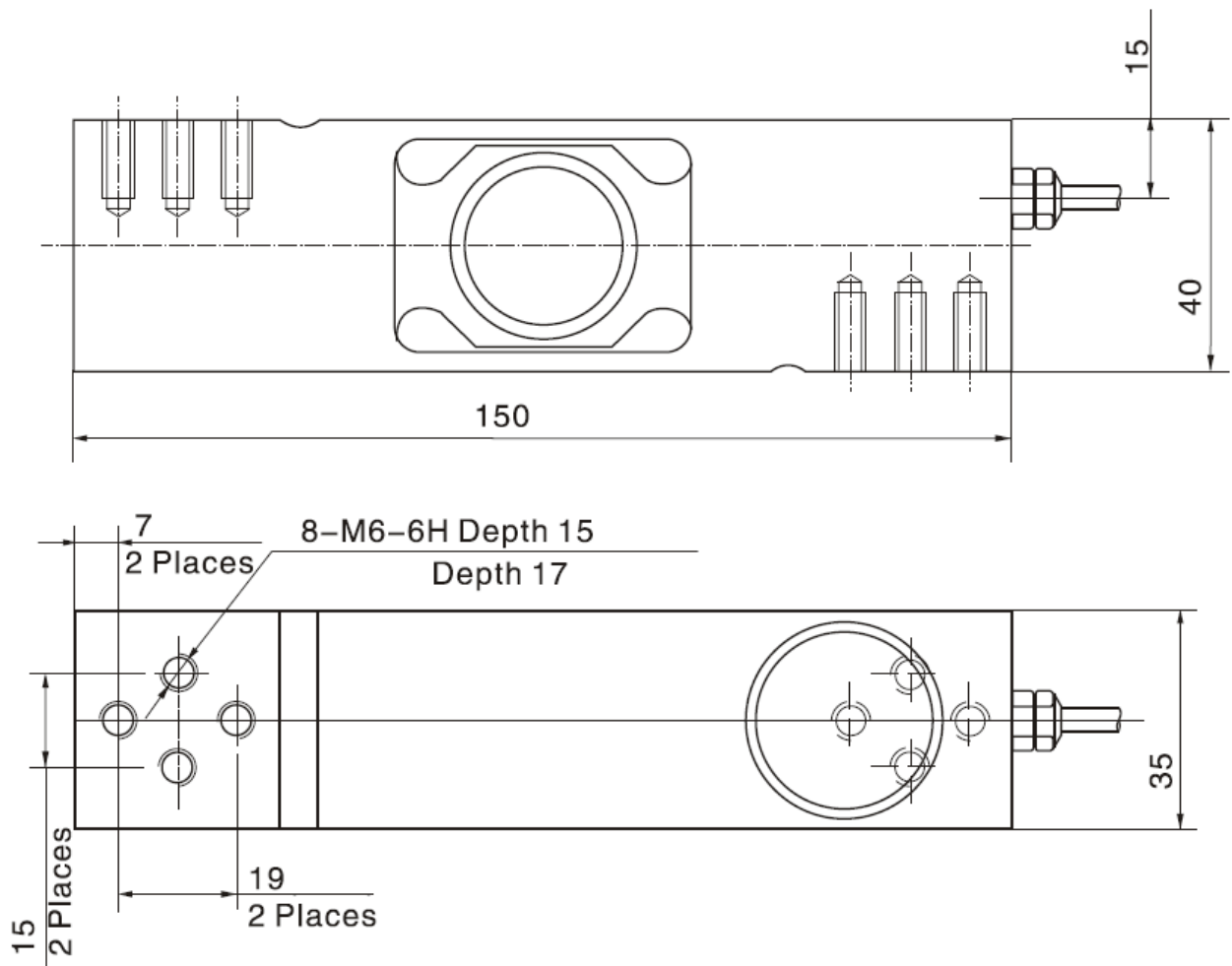
### 4-wire diagram



Specifications and dimensions are subject to change without notice and do not constitute any liability whatsoever.

# Type BM6E Load Cell

Dimensions in mm



Specifications and dimensions are subject to change without notice and do not constitute any liability whatsoever.