

Short Description

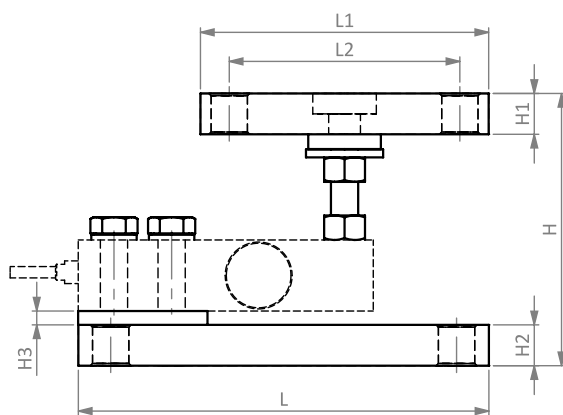
- Stainless steel load cell mount
- Adjustable mounting height
- Easy installation
- Using under heavy static load or slight dynamic load
- Can be used with load cell models: BM8D up to 2t, B8D, HM8C and H8C

Available Models

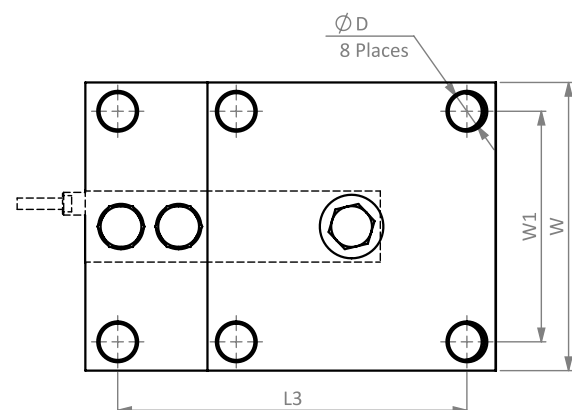
Model	Capacity	Full Article Description	Part Number
BM-8-404	0.5 – 2t	BM-8-404-0.5t/2t	20840100
	2.5 – 5t	BM-8-404-2.5t/5t	20840200

Dimensions in mm

Side View



Top View



Dimension / Capacity	L	L1	L2	L3	H	H1	H2	H3	W	W1	ØD
0.5t – 2t	180.9	127	101.6	152.4	100 - 120	18	18	6.1	127	101.6	16
2.5t – 5t	215.9	127	101.6	177.8	130 - 150	26	26	6.1	127	101.6	16

Specifications and dimensions are subject to change without notice and do not constitute any liability whatsoever.