



Short Description



- 6-Axis force sensor in aluminium
- IP65 Ingress rating
- Different sizes available
- Suitable for robotics, assembly lines, precision welding, surgery, etc.
- Customizable to customer's specific requirements for size and capacity
- High accuracy

Available Models

Capacity	Accuracy	Full Article Description
200N	0.5%	D6L2A3-0.2-0.5-200N-8Nm-2B
TBD	TBD	Custom versions available upon request

Technical Specifications D6L2A3-0.2-0.5-200N-8Nm-2B

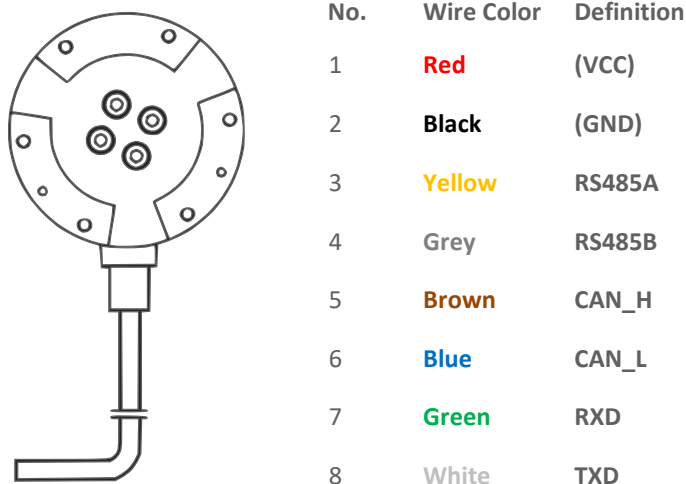
Maximum Capacity (E_{max})		Force (N)			Moment (Nm)		
		F_x	F_y	F_z	M_x	M_y	M_z
		100	100	200	8		
Accuracy	%FS	$\leq \pm 0.5$					
Repeatability	%FS	$\leq \pm 0.1$					
Single Non-Linearity	%FS	$\leq \pm 0.2$					
Crosstalk	%FS	$\leq \pm 1.0$					
Temperature Drift	%FS/10°C	$\leq \pm 0.5$					
Safe Overload	%FS	300					
Ultimate Overload	%FS	TBD					
Fatigue Life		> 5.000.000					
Excitation, Recommended Voltage	V	12 ~ 24					
Excitation, Maximum Voltage	V	TBD					
Operating Temperature	°C	-10 ~ + 80					
Storage Temperature	°C	-40 ~ + 100					
Load Cell Weight	kg	0.3					
Element Material		Aluminium					
Ingress Protection (acc. to EN 60529)		IP65					
Recommended Torque on Fixation Bolts	Nm	M5: 6					
Communication Methods		RS232 / RS485 / CAN					
Serial Baud Rate	Bps	Default: 115200, Multiple adjustable levels					
Sampling Frequency	Hz	RS232: 400 / CAN: 1000 / RS485: 460800bps					

Wiring

Features:

- Cable type: 8 conductor cable , conductor AWG 24
- Cable diameter: \varnothing 5.3mm
- Cable length: 2000mm \pm 20mm (*customizable upon request*)
- Cable jacket: PVC

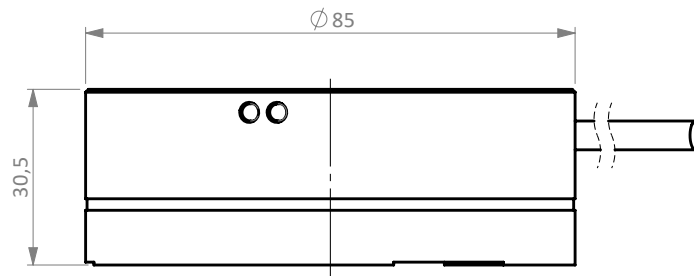
8-Wire Connection Diagram



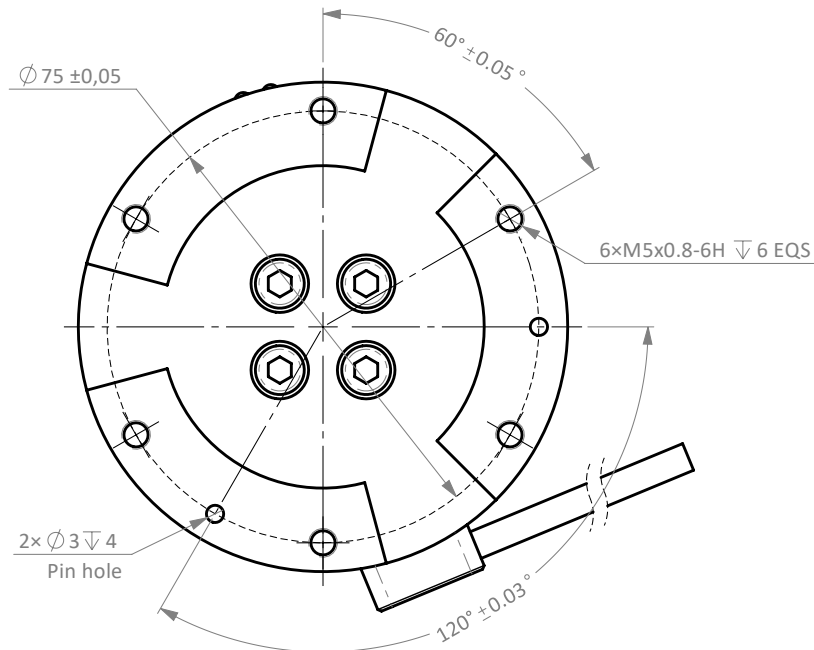
Type D6L2A3 6-Axis Force Sensor

Dimensions in mm

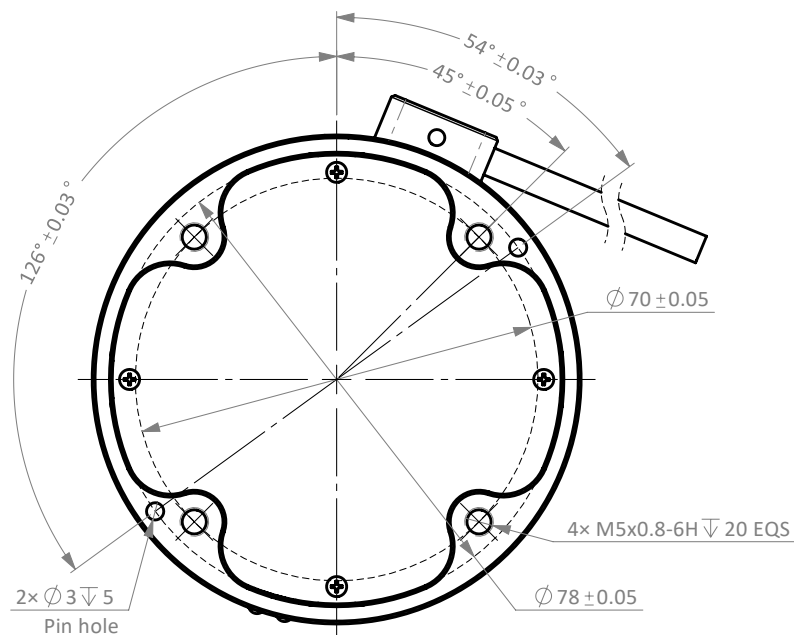
Front View



Top View



Bottom View



Specifications and dimensions are subject to change without notice and do not constitute any liability whatsoever.