

Short Description

- Stainless steel type 1.4301 (304) Load Cell Mounting Set
- Easy installation; complete kit with load cell dummy, pressure piece and transport plate
- Built-in horizontal movement control
- Suitable for applications like hopper, platform and pallet scales
- Can be used in hazardous environments
- To be used with load cell models BM24R-28t & -60t
- Mount delivered without a working load cell; this part needs to be ordered separately

Available Models

Model	Capacity	Full Article Description	Part Number
BM-24-904	28t	BM-24-904-28t tankmount	22400520
	60t	BM-24-904-60t tankmount	22400500

Technical Specifications BM-24-904

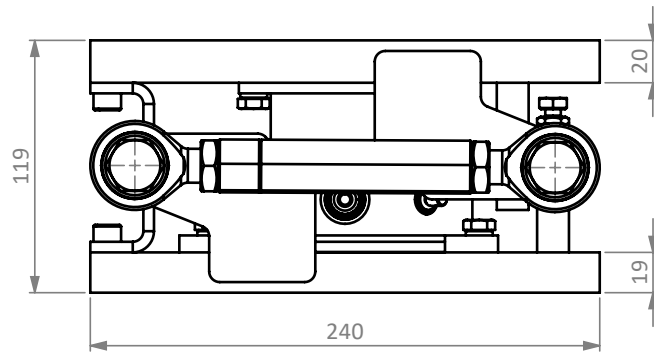
Capacity with loadcell	28t	60t
Maximum vertical force (down)	280 kN	600 kN
Maximum vertical force (up)	15 kN	
Maximum horizontal force	30 kN	
Maximum horizontal movement	± 1.0 mm	
Installation height	119 mm	144 mm
Working height	119 mm	144 mm

Note: Expressed maximum forces refer to this mount, with load cell installed.

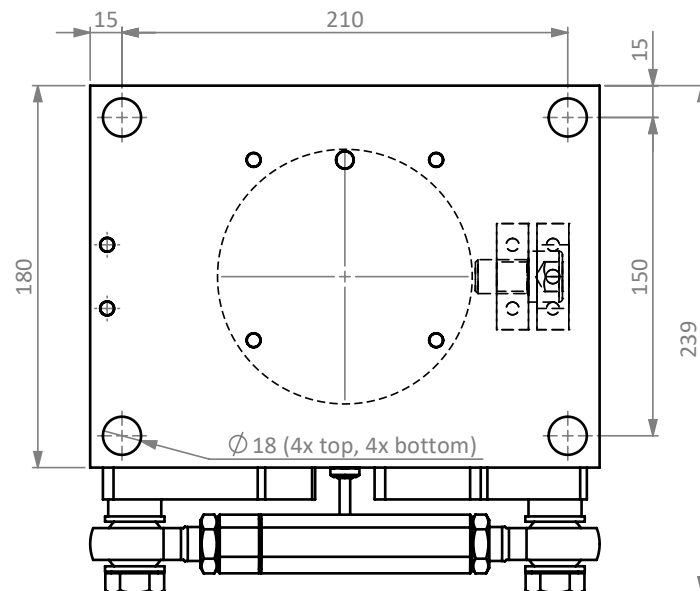
Specifications and dimensions are subject to change without notice and do not constitute any liability whatsoever.

Dimensions in mm

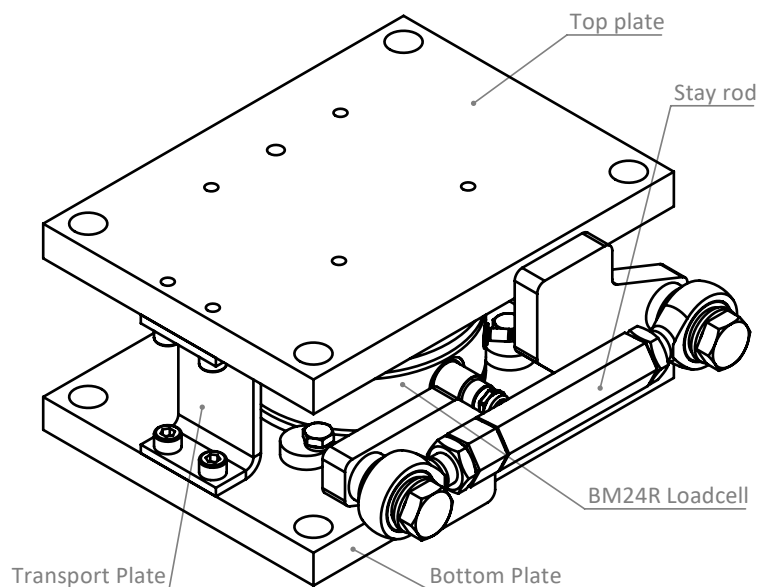
28t Version Front View



Top View



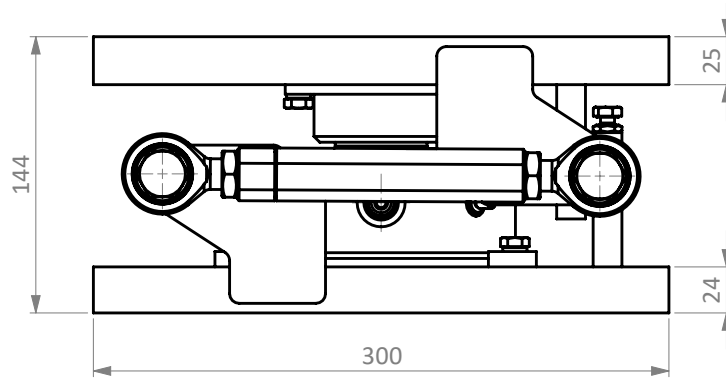
Isometric View



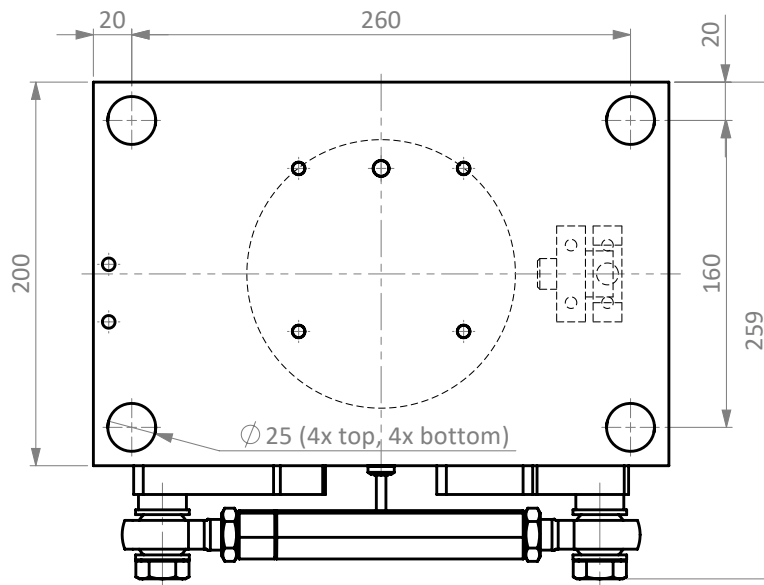
Specifications and dimensions are subject to change without notice and do not constitute any liability whatsoever.

Mounting Set Type BM-24-904

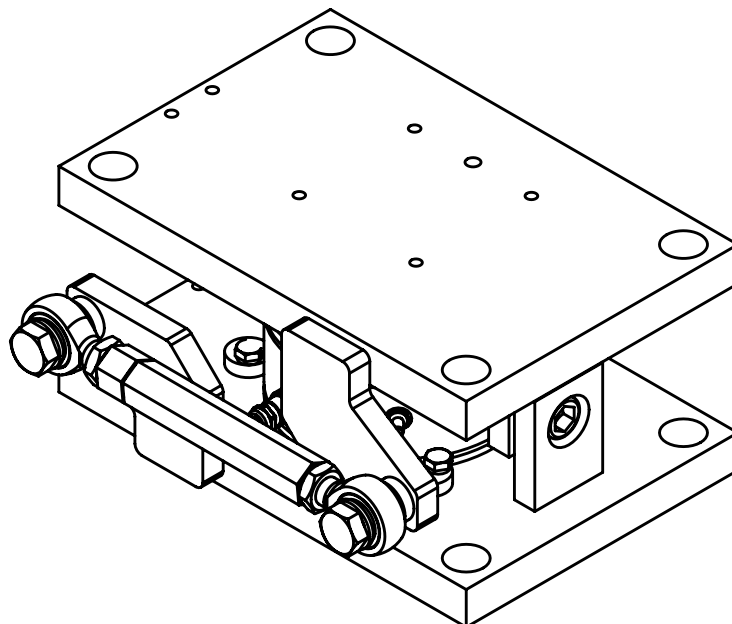
60t Version Front View



Top View



Isometric View



Specifications and dimensions are subject to change without notice and do not constitute any liability whatsoever.