

## Short Description

- Stainless steel type 1.4301 (304) Load Cell Mounting Set
- Easy installation; complete kit with load cell dummy, pressure piece and transport plate
- Suitable for containers, tanks & silos
- To be used with load cell models BM24R 0.25t – 5t
- Optional stay-rod set available for absorption of side forces
- Mount delivered without a working load cell; this part needs to be ordered separately

## Available Models

Model	Capacity	Full Article Description	Part Number
BM-24-900	0.25t – 5t	BM-24-900-0.25/5t tankmount	22400504
	0.25t – 5t	Stay rod set BM-24-900-0.25/5t Stainless Steel	20820681

## Technical Specifications BM-24-900

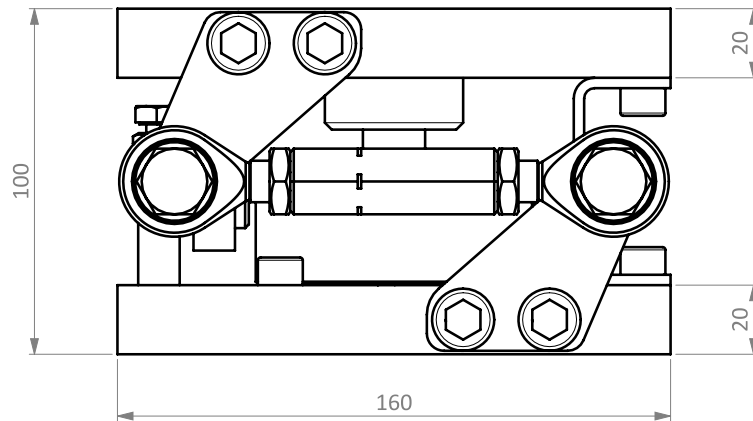
Capacity with loadcell	0.25t – 5t
Maximum vertical force (down) with load cell dummy	50 kN
Maximum vertical force (up)	20 kN
Maximum horizontal force (with stay rod installed)	20 kN
Maximum horizontal movement	± 1.5 mm
Installation height	100 mm
Working height	100 mm

**Note:** Expressed maximum forces refer to this mount, with load cell installed, except when noted.

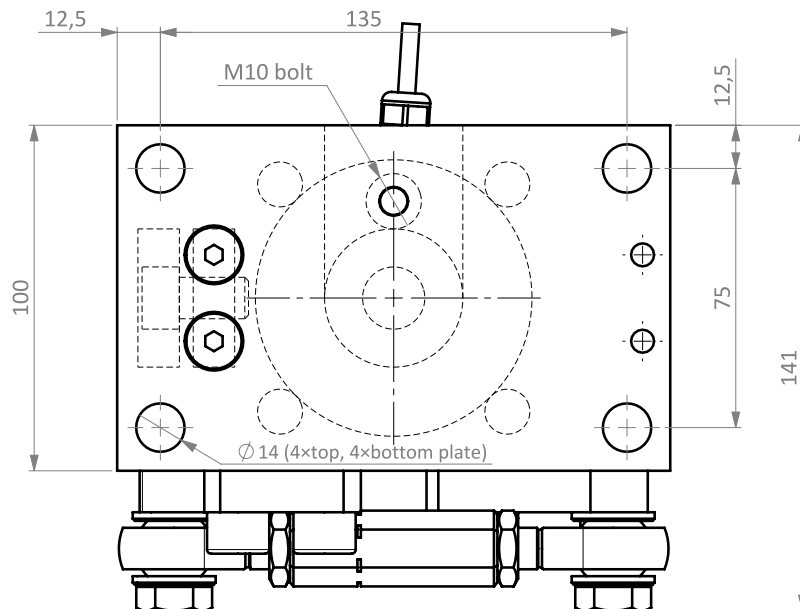
Specifications and dimensions are subject to change without notice and do not constitute any liability whatsoever.

## Dimensions in mm

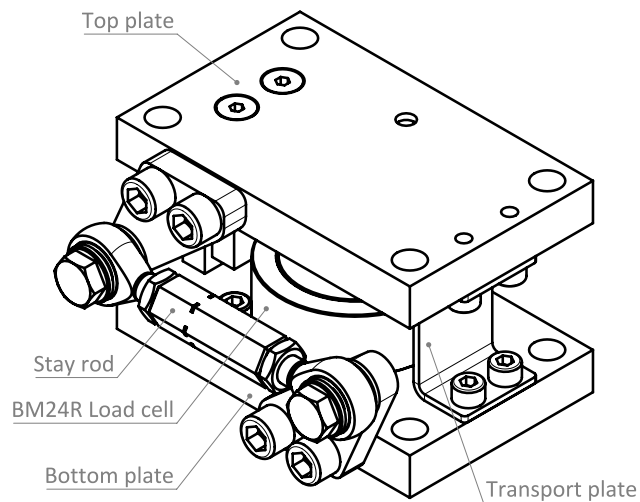
### Front View



### Top View



### Isometric View



Specifications and dimensions are subject to change without notice and do not constitute any liability whatsoever.