



Short Description



- Rocker support set for weighing bridges
- Nickel plated alloy steel
- Controlled horizontal movement
- Easy load cell access
- Can be used with load cell models: H14W (loadcell not included, to be ordered separately)

Available Models

Model	Capacity	Full Article Description	Part Number
HY-14-147	2.8t – 6t	HY-14-147-2.8/6.0t	21405500
	13t	HY-14-147-13t	21405510
	28t	HY-14-147-28t	21405520
	60t	HY-14-147-60t	21405530
	130t	HY-14-147-130t	21405540
	280t	HY-14-147-280t	21405550

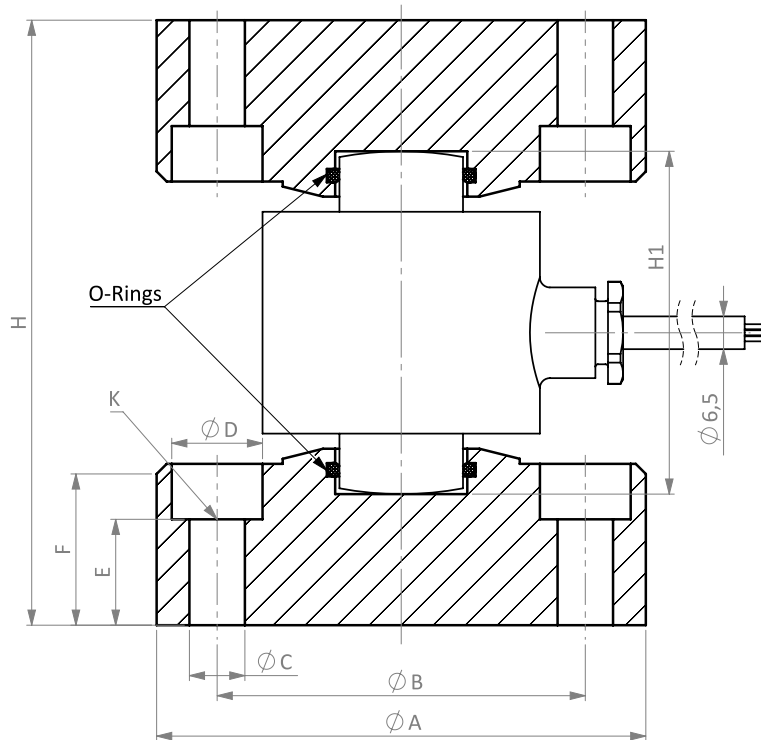
Technical Specifications HY-14-147

Capacity with load cell	2.8t – 6t	13t	28t	60t	130t	280t
Maximum horizontal force (kN)	7.5	20	50	145	195	500
Maximum horizontal displacement (mm)	+3.5 / -3.5	+3.8 / -3.8	+4 / -4	+4.4 / -4.4	+3.4 / -3.4	+4 / -4

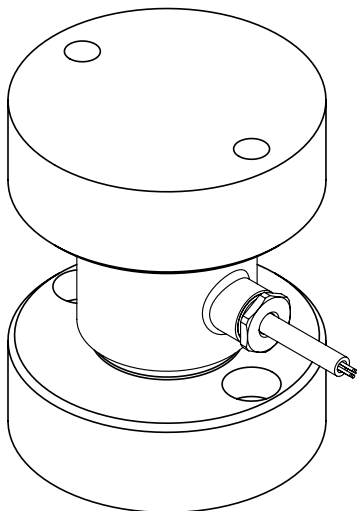
Specifications and dimensions are subject to change without notice and do not constitute any liability whatsoever.

Dimensions in mm

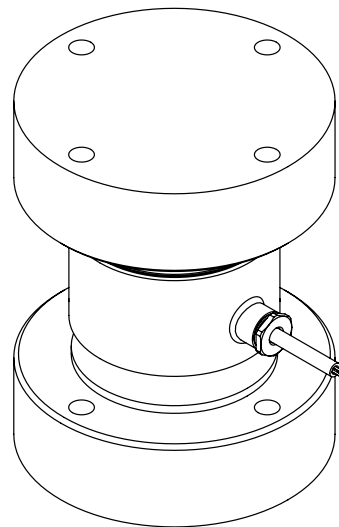
Side View



Isometric View 2.8t – 28t



Isometric View 60t – 280t



Dimension Capacity	ØA	ØB	ØC	ØD	E	F	K	H	H1
2.8t, 6t	87	63	11	18	14	25	Two drilled holes 180°	100	56
13t	97	73	11	18	21	32		120	68
28t	108	84	11	-	-	28		136	74
60t	137	112	11	-	-	42	Four drilled holes 90°	174	90
130t	176	148	11	-	-	52		220	116
280t	226	190	14	-	-	65		300	170

Specifications and dimensions are subject to change without notice and do not constitute any liability whatsoever.