

Short Description

- Easy installation
- Built in horizontal movement control
- Can be used in hazardous environments
- Lift-off protection
- Stainless steel (type 1.4301 / 304)
- Includes **BM-24-40x-Zx** Rocker Pin set
- Can be used with load cell model: BM24R

Available Models

Model	Capacity with Load	Full Article Description	Part Number
BM-24-401	0.25t – 1t	BM-24-401-ZT tankmount 0.25t/1t SS304	22400100
BM-24-402	2t – 5t	BM-24-402-ZT tankmount 2t/3.5t/5t SS304	22400200
BM-24-403	10 – 13t	BM-24-403-ZT tankmount 10t -13t SS304	22400300

Technical Specifications BM-24-401/402/403

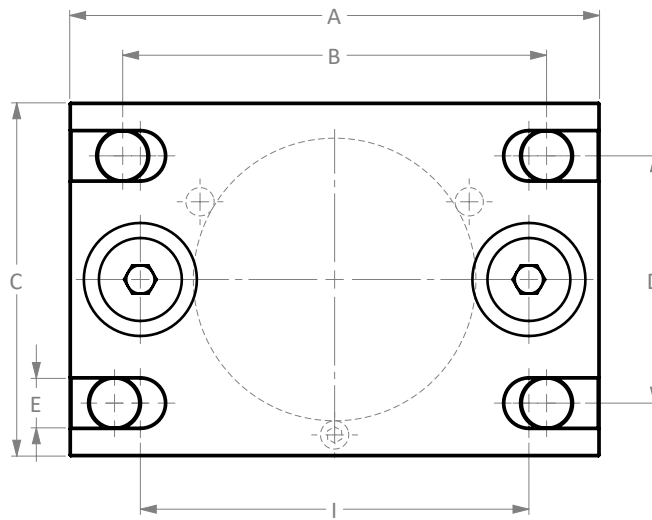
Type	BM-24-401	BM-24-402	BM-24-403
Maximum vertical force (down)	15 kN	30 kN	50 kN
Maximum vertical force (up)	10 kN	20 kN	30 kN
Maximum horizontal force	5 kN	10 kN	20 kN
Maximum horizontal movement	+3 / -3 mm	+3 / -3 mm	+3 / -3 mm
Installation height	80 mm	105 mm	117 mm
Working height	75 mm	100 mm	110 mm

Note: Expressed maximum forces refer to this mount, without load cell installed.

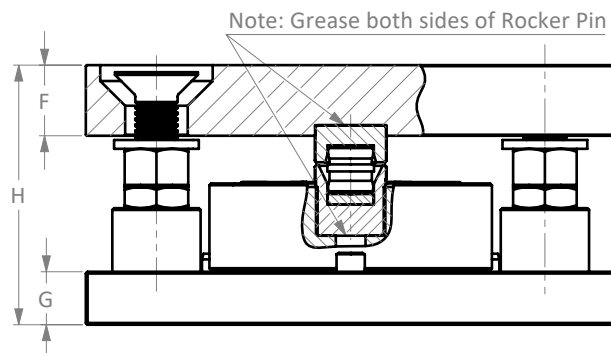
Specifications and dimensions are subject to change without notice and do not constitute any liability whatsoever.

Dimensions in mm

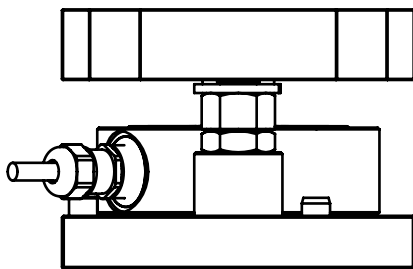
Top View



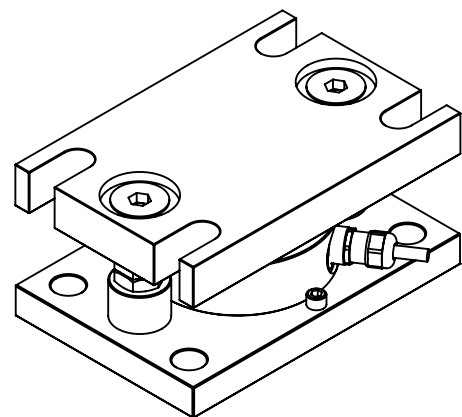
Front View



Side View



Isometric View



Dimension Type	A	B	C	D	ØE	F	G	H	I
BM-24-401	150	120	100	70	14	20	15	75	110
BM-24-402	160	120	110	70	16	20	20	100	N/A
BM-24-403	210	175	120	85	18	25	20	110	N/A

Specifications and dimensions are subject to change without notice and do not constitute any liability whatsoever.